

RANCHO SANTIAGO COMMUNITY COLLEGE DISTRICT



ADDENDUM NO. 1

Bid #1471 Audio-Visual Upgrades Project
at
Orange County Sheriff's Regional Training Academy

Address: 15991 Armstrong Ave, Tustin, CA 92782

Project ID #24-78

February 04, 2025

Owner:
Rancho Santiago Community College District
2323 North Broadway, Room 112
Santa Ana, California 92706

RECEIPT OF THIS ADDENDUM MUST BE ACKNOWLEDGED ON BID FORM WHEN
SUBMITTED

The following changes, additions, deletions or corrections shall become a part of the Contract Documents for the project named on the previous page and all other conditions shall remain the same. The Bidders shall be responsible for transmitting this information to all affected Subcontractors and Suppliers, prior to the closing of Bids. Prospective Bidders shall acknowledge receipt of all Addenda in the space provided on the Bid Proposal Form by the number (list every addenda). Failure to do so shall deem the Bid Proposal as non-responsive and subject the Bidder to disqualification.

Item No. AD 1-1 Required Project Milestones and Contractor's Work Hours Revisions (Revision in red). Replace SUPPLEMENTARY CONDITIONS Item B. Article 9 – Schedule Items 1-b-ii and 1-b-iii with the following:

~~ii) Phase 1—The Completion of AV upgrades work in the four (4) classrooms and Sergeant Offices shall be thirty (30) calendar days from NTP. The scope also includes commissioning and acceptance of work~~

~~iii) Phase 2—The Completion of AV upgrades work in the Multipurpose Rooms (MPR) shall be sixty (60) calendar days shall be from NTP. The scope also includes commissioning and acceptance of work.~~

Phase 1: The Completion of AV upgrades work in the two (2) classrooms 113 and 108 shall be sixteen (16) calendar days from NTP. The scope also includes commissioning and acceptance of work. Dayshift work between 7:00 AM – 5:00 PM.

Phase 2: The Completion of AV upgrades work in the two (2) classrooms 111 and 112 shall be sixteen (32) calendar days from NTP. The scope also includes commissioning and acceptance of work. Dayshift work between 7:00 AM – 5:00 PM.

Phase 3: The Completion of AV upgrades work in Multipurpose Rooms (MPR) and Sergeant Offices shall be sixty (60) calendar days from NTP. The scope also includes commissioning and acceptance of work. Nightshift work between 4:00 PM – 12:00 AM.

Item No. AD 1-2 Attachment E – Existing AV Equipment Removal List

Attachment E includes Existing AV Equipment Removal List, Removal Requirements, Location Plans, and Reference Photos.

Item No. AD 1-3: Responses to RFIs

The following provides a response to the Bidder's Request for Information (RFI). See attached a total of (52) RFI responses.

Enclosure:

RFIs 1 through 52.

Addendum No. 1

Item No. AD 1-2

Attachment E

02/4/25

ATTACHMENT E - Existing AV Equipment/Components Removal List

Removal Requirements: Contractor shall provide all necessary equipment, tools, and labor to remove and transport the existing AV Equipment/Components items as identified at OCSRTA to Santiago Canyon College warehouse located at 8045 East Chapman Avenue, Orange, California 92868. Contractor to remove and haul away the existing equipment in three Phases. Refer to the location plans, phasing, and photos below for additional information.

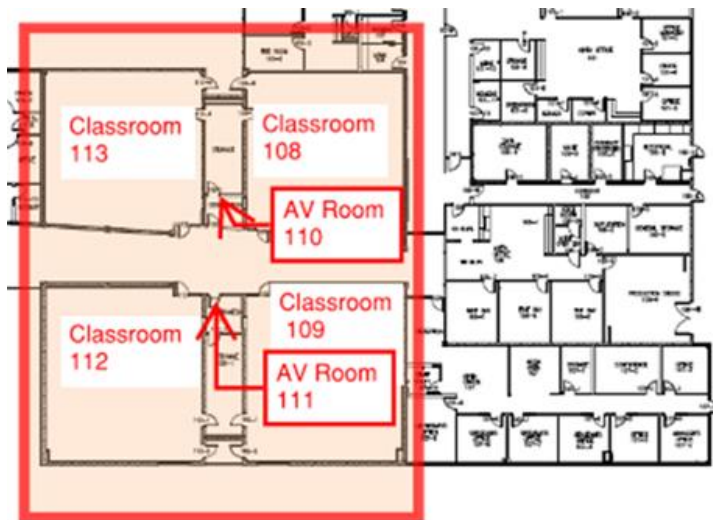
Contractor shall document and record all existing conditions prior to removal. Contractor shall replace, repaint and patch all damaged wall/ceiling/flooring surfaces to match existing conditions.

Removal phasing must follow the new equipment installation phases below:

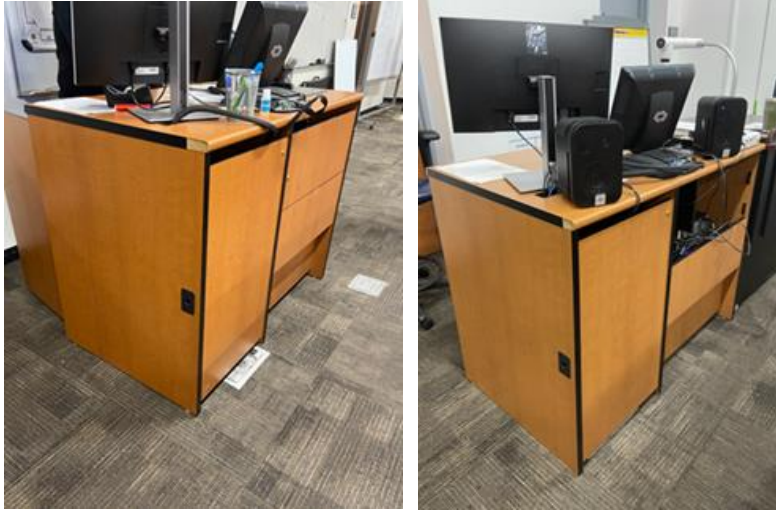
- Phase 1 – Classrooms 108 and 113 and AV room 110
- Phase 2 – Classrooms 109 and 112 and AV room 111
- Phase 3 – Divisible Multipurpose Room MPR

1. AV Equipment to be Removed in Classrooms and AV Rooms (See location plan & photos below)

1. Classrooms 118 – One (1) lectern & 13 ceiling mounted speakers and accessories
2. Classroom 113 - One (1) lectern & 13 ceiling mounted speakers and accessories
3. AV Room 110 – One (1) AV Rack and components
4. AV Room 111 – One (1) AV Rack and components
5. Classroom 109 – One (1) lectern & 16 ceiling mounted speakers and accessories
6. Classroom 112 - One (1) lectern & 16 ceiling mounted speakers and accessories



Classrooms Location Plan



Four typical lecterns in Classrooms 108, 111, 112, 113 to be removed



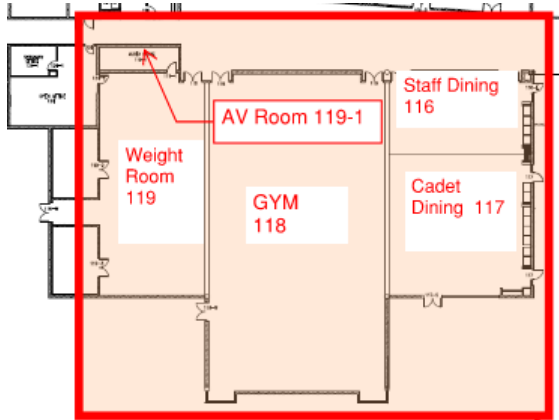
58 typical Ceiling mounted speakers & accessories in Classrooms 108, 111, 112 & 113 to be removed



Two typical AV Racks and components in AV Rooms 110 and 111 to be removed

2. AV Equipment to be removed in Divisible Multipurpose Room MPR (See location plan & photos below)

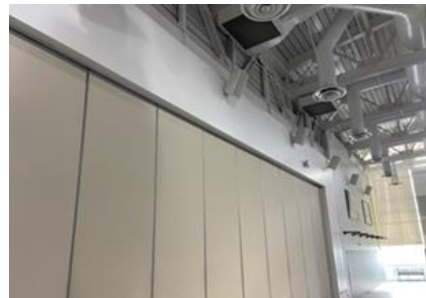
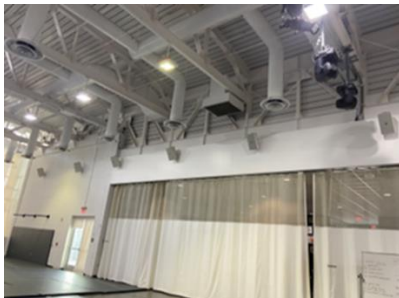
1. Staff Dining 116 and Cadet Dining 117 – 24 ceiling mounted speakers and accessories
2. Gym 118 – One (1) lectern, 24 wall mounted speakers (12 speakers on each side of the wall)
3. Weight Room 119 - 18 ceiling mounted speakers and accessories



MPR Location Plan



24 typical Ceiling mounted speakers in Staff Dining 116 & Cadet Dining 117 to be removed



24 wall mounted speakers & accessories (12 speakers on each side of the wall) Gym 118 to be removed



One (1) lectern in Gym 118 to be removed



All AV components (except AV Rack) in AV room 119 to be removed.



18 ceiling mounted speakers and accessories in Weight Room 119 to be removed

This is the end of Addendum No.1 Item No. AD 1-2

PRE-BID CLARIFICATION FORM

(Email this completed form to FacilitiesBid@rsccd.edu. See Instructions to Bidders.)

001

PROJECT NAME:	Audio-Visual Upgrades Project at Orange County Sheriff's Regional Training Academy		
PROJECT NUMBER:	FMR 24-78	BID NUMBER:	1471
EMAIL TO: facilitiesbid@rsccd.edu			
DATE:	01/20/2025		
FROM:	Golden Gate Construction	EMAIL:	information.goldengate@gmail.com
SPEC SECTION:	01 11 00 & 01 50 00	DRAWING NUMBER:	
REQUESTED CLARIFICATION:			
1) Are any Construction Field Office (Work Trailer) and Storage Trailer Required at the Work Site per Spec Section 01 11 00, para. 1.03.D & Section 01 50 00, para. 3.02.A? Please Confirm.			
RESPONSE TO CLARIFICATION:			
<p>A Contractor's storage trailer can be used for materials storage if needed. Exact location and size of the storage trailer to be coordinated and confirmed with the District/OCSRTA. A construction field office is not required.</p> <p>- RSCCD 2/4/25</p>			

Attach additional numbered sheets as necessary; however, only one (1) request shall be contained on each submitted form

END OF DOCUMENT

PRE-BID CLARIFICATION FORM

(Email this completed form to FacilitiesBid@rsccd.edu. See Instructions to Bidders.)

002

PROJECT NAME:	Audio-Visual Upgrades Project at Orange County Sheriff's Regional Training Academy		
PROJECT NUMBER:	FMR 24-78	BID NUMBER:	1471
EMAIL TO: facilitiesbid@rsccd.edu			
DATE:	01/20/2025		
FROM:	Golden Gate Construction	EMAIL:	information.goldengate@gmail.com
SPEC SECTION:	01 12 16	DRAWING NUMBER:	
REQUESTED CLARIFICATION:			
2) Is the Project Site Fencing and Access Gate required per Spec Section 01 12 16, para. 3.01.A.4? Please Confirm.			
RESPONSE TO CLARIFICATION:			
<p style="text-align: center;">Site Fencing and access gate are not required.</p> <p style="text-align: center;">- RSCCD 2/4/25</p>			

Attach additional numbered sheets as necessary; however, only one (1) request shall be contained on each submitted form

END OF DOCUMENT

PRE-BID CLARIFICATION FORM

(Email this completed form to FacilitiesBid@rscsd.edu. See Instructions to Bidders.)

003

PROJECT NAME:	Audio-Visual Upgrades Project at Orange County Sheriff's Regional Training Academy		
PROJECT NUMBER:	FMR 24-78	BID NUMBER:	1471
EMAIL TO: facilitiesbid@rscsd.edu			
DATE:	01/20/2025		
FROM:	Golden Gate Construction	EMAIL:	information.goldengate@gmail.com
SPEC SECTION:	General Conditions	DRAWING NUMBER:	
REQUESTED CLARIFICATION:			
<p>3) General Conditions, para. 35.3 & 35.4 required the Special Hazards Insurance ("Automotive and Truck Operated," Material Hoist," Explosion, Collapse and Underground," "Hazardous Materials") and Miscellaneous Insurance (Fire Insurance). Please Confirm if these Special Insurance Coverages are Required in this Contract.</p>			
RESPONSE TO CLARIFICATION:			
<p style="color: red;">The Special Insurance and Coverage are not required.</p> <p style="color: red;">-RSCCD 2/4/25</p>			

Attach additional numbered sheets as necessary; however, only one (1) request shall be contained on each submitted form

END OF DOCUMENT

PRE-BID CLARIFICATION FORM

(Email this completed form to FacilitiesBid@rscgd.edu. See Instructions to Bidders.)

004

PROJECT NAME:	Audio-Visual Upgrades Project at Orange County Sheriff's Regional Training Academy		
PROJECT NUMBER:	FMR 24-78	BID NUMBER:	1471
EMAIL TO: facilitiesbid@rscgd.edu			
DATE:	01/20/2025		
FROM:	Golden Gate Construction	EMAIL:	information.goldengate@gmail.com
SPEC SECTION:	27 4116	DRAWING NUMBER:	
REQUESTED CLARIFICATION:			
<p>4) Per Spec Section 27 4116, para. 1.4.A & para. 3.3, a Contractor (C-7 Licensed) who will install the Owner Furnished Equipment/Material of the System shall be Certified by the Manufacturer and Acceptable to the Owner and Architect. Please provide a List of Manufacturer Certified Contractors and/or the Owner's Pre-Approved Contractors/Installers for this Project; otherwise, Please Delete this Installer's Requirement from the Section; then, allow to any Contractors (C-7 Licensed) can install all Owner Furnished Equipment / Materials per Project Plans.</p> <p>Please Advise</p>			
RESPONSE TO CLARIFICATION:			
<p>Contractor to provide industry AV installers' certifications per Specifications and manufacturers' requirements per Attachment D - OFCI equipment list. Contractor is responsible for obtaining the required certifications and/or coordinating with the certifications requirements with their sub-contractors and suppliers.</p> <p>-RSCGD 2/4/25.</p>			

Attach additional numbered sheets as necessary; however, only one (1) request shall be contained on each submitted form

END OF DOCUMENT

PRE-BID CLARIFICATION FORM

(Email this completed form to FacilitiesBid@rsccd.edu. See Instructions to Bidders.)

005

PROJECT NAME:	Audio-Visual Upgrades Project at Orange County Sheriff's Regional Training Academy		
PROJECT NUMBER:	FMR 24-78	BID NUMBER:	1471
EMAIL TO: facilitiesbid@rsccd.edu			
DATE:	01/23/2025		
FROM:	Golden Gate Construction	EMAIL:	information.goldengate@gmail.com
SPEC SECTION:		DRAWING NUMBER:	
REQUESTED CLARIFICATION:			
5) What is an Engineering Estimate Value? The Surety asked a Project Cost for issuing a Bid Bond.			
RESPONSE TO CLARIFICATION:			
<p>The estimated construction cost is \$95,000 to \$150,000.</p> <p>-RSCCD 2/4/25</p>			

Attach additional numbered sheets as necessary; however, only one (1) request shall be contained on each submitted form

END OF DOCUMENT

PRE-BID CLARIFICATION FORM

(Email this completed form to FacilitiesBid@rscsd.edu. See Instructions to Bidders.)

006

PROJECT NAME:	Audio-Visual Upgrades Project at Orange County Sheriff's Regional Training Academy		
PROJECT NUMBER:	FMR 24-78	BID NUMBER:	1471
EMAIL TO: facilitiesbid@rscsd.edu			
DATE:	01/23/2025		
FROM:	Golden Gate Construction	EMAIL:	information.goldengate@gmail.com
SPEC SECTION:		DRAWING NUMBER:	
REQUESTED CLARIFICATION:			
<p>6) Spec Section 27 4116, para. 1.4.A & para. 3.3, a Contractor (C-7 Licensed) is required an Installer's Certification that certified by the Manufacturer. Is this Requirement for installing the EXTRON products only? or all other required AV products to be installed?</p>			
RESPONSE TO CLARIFICATION:			
<p style="text-align: center;">Refer to previous Pre-bid Clarification RFI #4 response.</p> <p style="text-align: center;">-RSCCD 2/4/25</p>			

Attach additional numbered sheets as necessary; however, only one (1) request shall be contained on each submitted form

END OF DOCUMENT

PRE-BID CLARIFICATION FORM

(Email this completed form to FacilitiesBid@rsccd.edu. See Instructions to Bidders.)

007

PROJECT NAME:	Audio-Visual Upgrades Project at Orange County Sheriff's Regional Training Academy		
PROJECT NUMBER:	FMR 24-78	BID NUMBER:	1471
EMAIL TO: facilitiesbid@rsccd.edu			
DATE:	01/23/2025		
FROM:	Golden Gate Construction	EMAIL:	information.goldengate@gmail.com
SPEC SECTION:		DRAWING NUMBER:	
REQUESTED CLARIFICATION:			
7) May we use any existing conduits above the Ceiling and/or on the Wall (N) AV and Data cables from the IDF or Data Room? Or it shall be installed (N) Conduits as needed per Plans?			
RESPONSE TO CLARIFICATION:			
<p>The contractor shall use existing conduits.</p> <p>-RSCCD 2/5/25</p>			

Attach additional numbered sheets as necessary; however, only one (1) request shall be contained on each submitted form

END OF DOCUMENT

PRE-BID CLARIFICATION FORM

(Email this completed form to FacilitiesBid@rsccd.edu. See Instructions to Bidders.)

008

PROJECT NAME:	Audio-Visual Upgrades Project at Orange County Sheriff's Regional Training Academy		
PROJECT NUMBER:	FMR 24-78	BID NUMBER:	1471
EMAIL TO: facilitiesbid@rsccd.edu			
DATE:	01/23/2025		
FROM:	Golden Gate Construction	EMAIL:	information.goldengate@gmail.com
SPEC SECTION:		DRAWING NUMBER:	
REQUESTED CLARIFICATION:			
8) What is the Attic or Above the Ceiling height?			
RESPONSE TO CLARIFICATION:			
<p>The GYM 118 floor to ceiling height is approximately 22 feet. The ceiling space for Weight Room 119 and staff/Cadet Rooms 116/117 varies (approximately 4 feet to 6 feet). The ceiling space for classrooms is approximately 4 feet.</p> <p>-RSCCD 2/4/25</p>			

Attach additional numbered sheets as necessary; however, only one (1) request shall be contained on each submitted form

END OF DOCUMENT

PRE-BID CLARIFICATION FORM

(Email this completed form to FacilitiesBid@rsccd.edu. See Instructions to Bidders.)

009

PROJECT NAME:	Audio-Visual Upgrades Project at Orange County Sheriff's Regional Training Academy		
PROJECT NUMBER:	FMR 24-78	BID NUMBER:	1471
EMAIL TO: facilitiesbid@rsccd.edu			
DATE:	01/23/2025		
FROM:	Golden Gate Construction	EMAIL:	information.goldengate@gmail.com
SPEC SECTION:		DRAWING NUMBER:	
REQUESTED CLARIFICATION:			
<p>May we have an additional Jobwalk at the Site for/with our LV Subcontractor for Project Name by "Audio-Visual Upgrades for Orange County Sheriff's Regional Training Academy Project (Bid #1471)" next week? Please Advise the Date & Time for the additional Jobwalk schedule if acceptable.</p>			
RESPONSE TO CLARIFICATION:			
<p>No additional jobwalk will be scheduled.</p> <p>-RSCCD 2/3/25</p>			

Attach additional numbered sheets as necessary; however, only one (1) request shall be contained on each submitted form

END OF DOCUMENT

PRE-BID CLARIFICATION FORM

(Email this completed form to FacilitiesBid@rsccd.edu. See Instructions to Bidders.)

PROJECT NAME:	Audio-Visual Upgrades Project at Orange County Sheriff's Regional Training Academy		
PROJECT NUMBER:	FMR 24-78	BID NUMBER:	1471
EMAIL TO: facilitiesbid@rsccd.edu			
DATE:	01.21.2025		
FROM:	Mike Gaffrey, Southland Technology, Inc.	EMAIL:	mgaffrey@southlandtechnology.com
SPEC SECTION:	27 41 16	DRAWING NUMBER:	Attach D - Equipment List
REQUESTED CLARIFICATION:			
<p>Will all cable listed as TBD quantities be provided by the owner, or is the AV contractor to provide and install these cables per the specified manufacturers/part numbers?</p>			
RESPONSE TO CLARIFICATION:			
<p>The Contractor shall provide and install all necessary cabling to complete the system functionality as described per Specifications 27 4116 Integrated AV Systems and Equipment (See Bid Document - Attachment B) including all necessary cables to complete the installation of all OFCI equipment list per Attachment D.</p> <p>-RSCCD 2/4/25</p>			

Attach additional numbered sheets as necessary; however, only one (1) request shall be contained on each submitted form

END OF DOCUMENT

PRE-BID CLARIFICATION FORM

(Email this completed form to FacilitiesBid@rscsd.edu. See Instructions to Bidders.)

PROJECT NAME:	Audio-Visual Upgrades Project at Orange County Sheriff's Regional Training Academy		
PROJECT NUMBER:	FMR 24-78	BID NUMBER:	1471
EMAIL TO: facilitiesbid@rscsd.edu			
DATE:	01.22.2025		
FROM:	Mike Gaffrey, Southland Technology, Inc.	EMAIL:	mgaffrey@southlandtechnology.com
SPEC SECTION:	27 41 16	DRAWING NUMBER:	Attach D - Equipment List
REQUESTED CLARIFICATION:			
I see EKC is providing some of the equipment. Will they also be bidding the install?			
RESPONSE TO CLARIFICATION:			
<p>All qualified contractors meeting the required licenses and qualification requirements can bid this project.</p> <p>-RSCCD 2/4/25</p>			

Attach additional numbered sheets as necessary; however, only one (1) request shall be contained on each submitted form

END OF DOCUMENT

PRE-BID CLARIFICATION FORM

(Email this completed form to FacilitiesBid@rsccd.edu. See Instructions to Bidders.)

PROJECT NAME:	Audio-Visual Upgrades Project at Orange County Sheriff's Regional Training Academy		
PROJECT NUMBER:	FMR 24-78	BID NUMBER:	1471
EMAIL TO: facilitiesbid@rsccd.edu			
DATE:	01/28/2025		
FROM:	EIDIM Group Inc. dba EIDIM AV Technology	EMAIL:	estimate@eidim.com
SPEC SECTION:		DRAWING NUMBER:	
REQUESTED CLARIFICATION:			
<p>Please confirm who will be responsible for the safe removal and environmentally responsible disposal of existing AV equipment, including cameras, wall-mounted speakers, and other devices to be decommissioned.</p>			
RESPONSE TO CLARIFICATION:			
<p>The contractor is responsible for removing the existing AV equipments as listed on the bid documents and Attachment D. Refer to the included new Attachment E per this Addendum #1 for additional equipment removal procedures and requirements.</p> <p>-RSCCD 2/4/25</p>			

Attach additional numbered sheets as necessary; however, only one (1) request shall be contained on each submitted form

END OF DOCUMENT

PRE-BID CLARIFICATION FORM

(Email this completed form to FacilitiesBid@rsccd.edu. See Instructions to Bidders.)

PROJECT NAME:	Audio-Visual Upgrades Project at Orange County Sheriff's Regional Training Academy		
PROJECT NUMBER:	FMR 24-78	BID NUMBER:	1471
EMAIL TO: facilitiesbid@rsccd.edu			
DATE:	01/28/2025		
FROM:	EIDIM Group Inc. dba EIDIM AV Technology	EMAIL:	estimate@eidim.com
SPEC SECTION:		DRAWING NUMBER:	
REQUESTED CLARIFICATION:			
<p>Are there any restrictions or approvals needed for the use of the facility's existing conduits, raceways, and cable pathways for routing the new system's cabling?</p>			
RESPONSE TO CLARIFICATION:			
<p>There are no restrictions. Contractor shall coordinate with the District Project Manager.</p> <p>- RSCCD 2/4/25</p>			

Attach additional numbered sheets as necessary; however, only one (1) request shall be contained on each submitted form

END OF DOCUMENT

PRE-BID CLARIFICATION FORM

(Email this completed form to FacilitiesBid@rsccd.edu. See Instructions to Bidders.)

PROJECT NAME:	Audio-Visual Upgrades Project at Orange County Sheriff's Regional Training Academy		
PROJECT NUMBER:	FMR 24-78	BID NUMBER:	1471
EMAIL TO: facilitiesbid@rsccd.edu			
DATE:	01/28/2025		
FROM:	EIDIM Group Inc. dba EIDIM AV Technology	EMAIL:	estimate@eidim.com
SPEC SECTION:		DRAWING NUMBER:	
REQUESTED CLARIFICATION:			
<p>Could you confirm the make, model, and technical specifications of the existing projectors and screens in the classrooms to determine compatibility with the new system?</p>			
RESPONSE TO CLARIFICATION:			
<p>The compatibility has been confirmed by the designer. The information of the existing projectors and screens in the classrooms will be provided to the selected contractor for this project.</p> <p>- RSCCD 2/4/25</p>			

Attach additional numbered sheets as necessary; however, only one (1) request shall be contained on each submitted form

END OF DOCUMENT

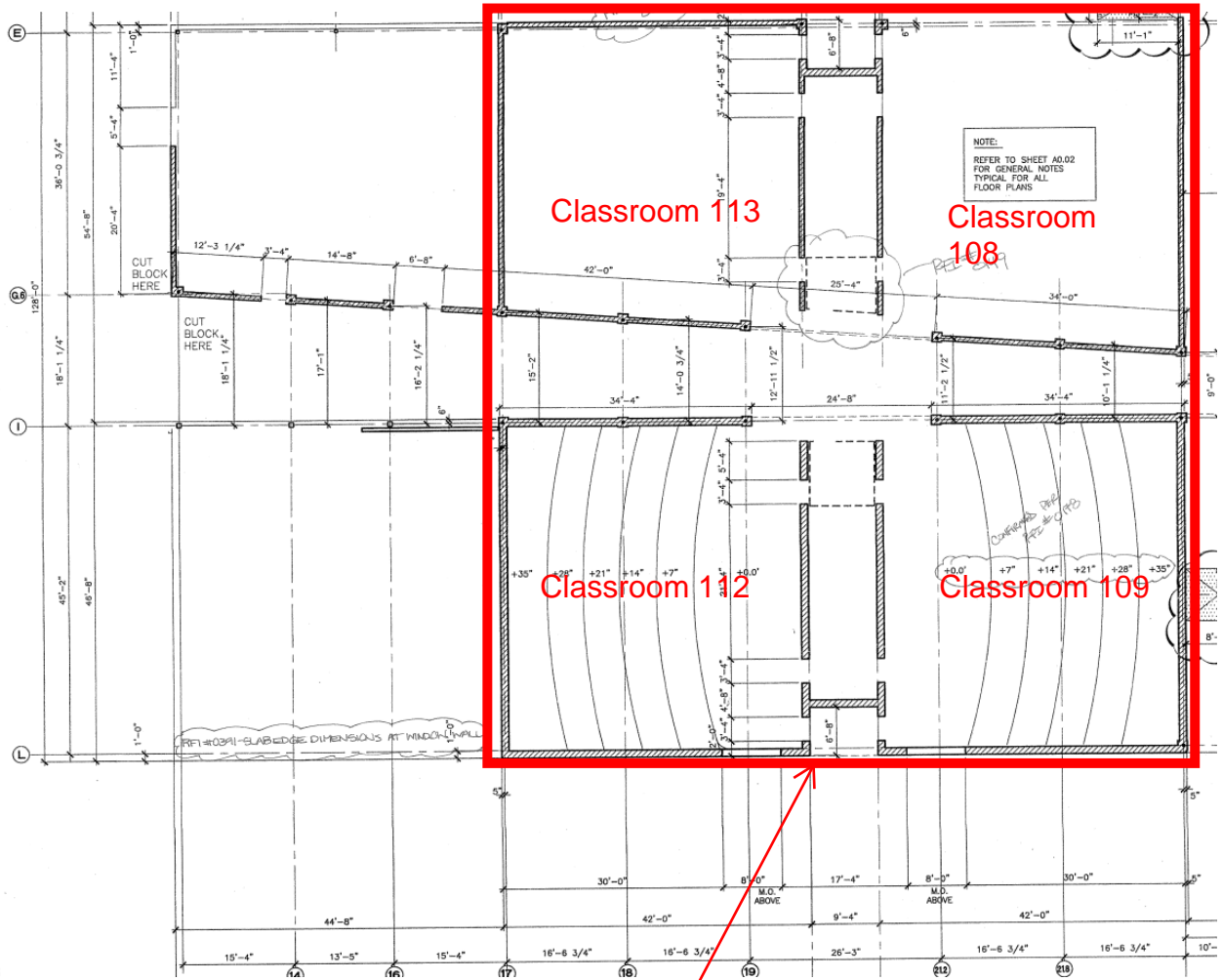
PRE-BID CLARIFICATION FORM

(Email this completed form to FacilitiesBid@rsccd.edu. See Instructions to Bidders.)

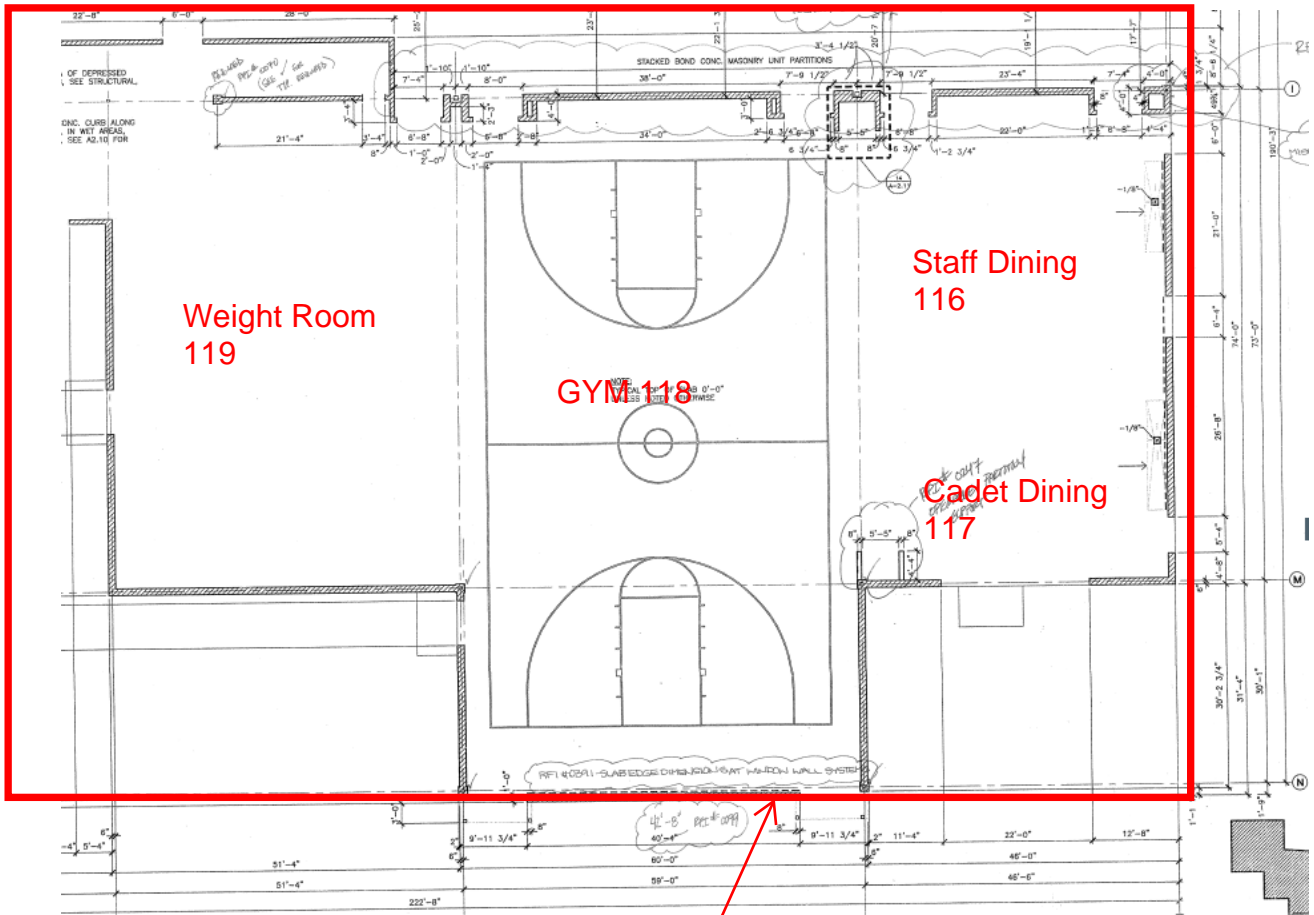
PROJECT NAME:	Audio-Visual Upgrades Project at Orange County Sheriff's Regional Training Academy		
PROJECT NUMBER:	FMR 24-78	BID NUMBER:	1471
EMAIL TO: facilitiesbid@rsccd.edu			
DATE:	01/28/2025		
FROM:	EIDIM Group Inc. dba EIDIM AV Technology	EMAIL:	estimate@eidim.com
SPEC SECTION:		DRAWING NUMBER:	
REQUESTED CLARIFICATION:			
<p>Are floor plans, reflected ceiling plans, and AutoCAD files available for detailed review to assist in precise cable routing and equipment placement planning?</p>			
RESPONSE TO CLARIFICATION:			
<p>See attached two drawings showing the classrooms and MPR rooms with overall dimensions.</p> <p>Other drawings will be provided to the selected contractor for preparation of cable routing and equipment placement planning.</p> <p>- RSCCD 2/4/25</p>			

Attach additional numbered sheets as necessary; however, only one (1) request shall be contained on each submitted form

END OF DOCUMENT



Floor plan showing classrooms with overall dimensions



Floor Plan showing Divisible
Multipurpose Room MPR with
overall dimensions

PRE-BID CLARIFICATION FORM

(Email this completed form to FacilitiesBid@rsccd.edu. See Instructions to Bidders.)

PROJECT NAME:	Audio-Visual Upgrades Project at Orange County Sheriff's Regional Training Academy		
PROJECT NUMBER:	FMR 24-78	BID NUMBER:	1471
EMAIL TO: facilitiesbid@rsccd.edu			
DATE:	01/28/2025		
FROM:	EIDIM Group Inc. dba EIDIM AV Technology	EMAIL:	estimate@eidim.com
SPEC SECTION:		DRAWING NUMBER:	
REQUESTED CLARIFICATION:			
Should the AV contractor include the installation of new conduits and raceways in the bid, or will this work be handled by the facility or a separate contractor?			
RESPONSE TO CLARIFICATION:			
Refer to Pre-bid Clarification Form RFI #7 response.			
-RSCCD 2/4/25			

Attach additional numbered sheets as necessary; however, only one (1) request shall be contained on each submitted form

END OF DOCUMENT

PRE-BID CLARIFICATION FORM

(Email this completed form to FacilitiesBid@rsccd.edu. See Instructions to Bidders.)

PROJECT NAME:	Audio-Visual Upgrades Project at Orange County Sheriff's Regional Training Academy		
PROJECT NUMBER:	FMR 24-78	BID NUMBER:	1471
EMAIL TO: facilitiesbid@rsccd.edu			
DATE:	01/28/2025		
FROM:	EIDIM Group Inc. dba EIDIM AV Technology	EMAIL:	estimate@eidim.com
SPEC SECTION:		DRAWING NUMBER:	
REQUESTED CLARIFICATION:			
<p>Will the AV contractor be responsible for programming and configuring control software like Utology, or will this fall under the facility's internal IT or third-party responsibilities? If applicable, could you provide details on the control software requirements?</p>			
RESPONSE TO CLARIFICATION:			
<p>Yes. The contractor is responsible. Refer to Specifications 27 4116 Integrated Audio-Video AV Systems & Equipment for all required programming and configuring control software.</p> <p>- RSCCD 2/4/25</p>			

Attach additional numbered sheets as necessary; however, only one (1) request shall be contained on each submitted form

END OF DOCUMENT

PRE-BID CLARIFICATION FORM

(Email this completed form to FacilitiesBid@rsccd.edu. See Instructions to Bidders.)

PROJECT NAME:	Audio-Visual Upgrades Project at Orange County Sheriff's Regional Training Academy		
PROJECT NUMBER:	FMR 24-78	BID NUMBER:	1471
EMAIL TO: facilitiesbid@rsccd.edu			
DATE:	01/28/2025		
FROM:	EIDIM Group Inc. dba EIDIM AV Technology	EMAIL:	estimate@eidim.com
SPEC SECTION:		DRAWING NUMBER:	
REQUESTED CLARIFICATION:			
<p>Could you share information about the software currently used for managing the existing AV system, to assess any necessary integration with new components?</p>			
RESPONSE TO CLARIFICATION:			
<p>Refer to Pre-bid Clarification Form RFI #17 response.</p> <p>- RSCCD 2/4/25</p>			

Attach additional numbered sheets as necessary; however, only one (1) request shall be contained on each submitted form

END OF DOCUMENT

PRE-BID CLARIFICATION FORM

(Email this completed form to FacilitiesBid@rsccd.edu. See Instructions to Bidders.)

PROJECT NAME:	Audio-Visual Upgrades Project at Orange County Sheriff's Regional Training Academy		
PROJECT NUMBER:	FMR 24-78	BID NUMBER:	1471
EMAIL TO: facilitiesbid@rsccd.edu			
DATE:	01/28/2025		
FROM:	EIDIM Group Inc. dba EIDIM AV Technology	EMAIL:	estimate@eidim.com
SPEC SECTION:		DRAWING NUMBER:	
REQUESTED CLARIFICATION:			
<p>9. Should the bid include provision of networking equipment such as patch panels and switches for AV integration, or will these be supplied and installed by the facility?</p>			
RESPONSE TO CLARIFICATION:			
<p>Yes the bid shall include the provision of networking equipment such as patch panels and switches for AV integration.</p> <p>Refer to Specifications 27 4116 Integrated Audio-Video AV Systems & Equipment for all AV integration requirements.</p> <p>-RSCCD 2/4/25</p>			

Attach additional numbered sheets as necessary; however, only one (1) request shall be contained on each submitted form

END OF DOCUMENT

PRE-BID CLARIFICATION FORM

(Email this completed form to FacilitiesBid@rscdd.edu. See Instructions to Bidders.)

PROJECT NAME:	Audio-Visual Upgrades Project at Orange County Sheriff's Regional Training Academy		
PROJECT NUMBER:	FMR 24-78	BID NUMBER:	1471
EMAIL TO: facilitiesbid@rscdd.edu			
DATE:	01/28/2025		
FROM:	EIDIM Group Inc. dba EIDIM AV Technology	EMAIL:	estimate@eidim.com
SPEC SECTION:		DRAWING NUMBER:	
REQUESTED CLARIFICATION:			
<p>Will alternate equipment models or brands be acceptable if the specified items are unavailable or if alternatives offer equal or superior performance?</p>			
RESPONSE TO CLARIFICATION:			
<p>Yes. Use District's Pre-bid Substitution Request Form included in the bid documents.</p> <p>-RSCDD 2/04/25</p>			

Attach additional numbered sheets as necessary; however, only one (1) request shall be contained on each submitted form

END OF DOCUMENT

PRE-BID CLARIFICATION FORM

(Email this completed form to FacilitiesBid@rsccd.edu. See Instructions to Bidders.)

PROJECT NAME:	Audio-Visual Upgrades Project at Orange County Sheriff's Regional Training Academy		
PROJECT NUMBER:	FMR 24-78	BID NUMBER:	1471
EMAIL TO: facilitiesbid@rsccd.edu			
DATE:	01/28/2025		
FROM:	EIDIM Group Inc. dba EIDIM AV Technology	EMAIL:	estimate@eidim.com
SPEC SECTION:		DRAWING NUMBER:	
REQUESTED CLARIFICATION:			
<p>12. Will secure, on-site storage be provided for contractor-delivered equipment, or should off-site storage arrangements be planned?</p>			
RESPONSE TO CLARIFICATION:			
<p>Refer to Pre-bid Clarification Form RFI #1 response.</p> <p>- RSCCD 2/4/25</p>			

Attach additional numbered sheets as necessary; however, only one (1) request shall be contained on each submitted form

END OF DOCUMENT

PRE-BID CLARIFICATION FORM

(Email this completed form to FacilitiesBid@rsccd.edu. See Instructions to Bidders.)

PROJECT NAME:	Audio-Visual Upgrades Project at Orange County Sheriff's Regional Training Academy		
PROJECT NUMBER:	FMR 24-78	BID NUMBER:	1471
EMAIL TO: facilitiesbid@rsccd.edu			
DATE:	01/28/2025		
FROM:	EIDIM Group Inc. dba EIDIM AV Technology	EMAIL:	estimate@eidim.com
SPEC SECTION:		DRAWING NUMBER:	
REQUESTED CLARIFICATION:			
<p>Are there specific end-user roles or advanced use cases requiring customized training sessions beyond the standard system operation tutorials?</p>			
RESPONSE TO CLARIFICATION:			
<p>A total of 16 hours will be required. Exact duration hours for each session to be determined by the District. Contractor shall submit user training manuals and materials for review at least two weeks prior to training sessions.</p> <p>-RSCCD 2/4/25</p>			

Attach additional numbered sheets as necessary; however, only one (1) request shall be contained on each submitted form

END OF DOCUMENT

PRE-BID CLARIFICATION FORM

(Email this completed form to FacilitiesBid@rsccd.edu. See Instructions to Bidders.)

PROJECT NAME:	Audio-Visual Upgrades Project at Orange County Sheriff's Regional Training Academy		
PROJECT NUMBER:	FMR 24-78	BID NUMBER:	1471
EMAIL TO: facilitiesbid@rsccd.edu			
DATE:	01/28/2025		
FROM:	EIDIM Group Inc. dba EIDIM AV Technology	EMAIL:	estimate@eidim.com
SPEC SECTION:		DRAWING NUMBER:	
REQUESTED CLARIFICATION:			
Who will handle network configuration tasks, such as VLAN setups, IP assignment, and firewall modifications, to support the AV system's connectivity?			
RESPONSE TO CLARIFICATION:			
District ITS will handle the tasks. Contractor is required to attend all required coordination meetings to ensure a smooth and successful impementation. -RSCCD 2/4/25			

Attach additional numbered sheets as necessary; however, only one (1) request shall be contained on each submitted form

END OF DOCUMENT

PRE-BID CLARIFICATION FORM

(Email this completed form to FacilitiesBid@rsccd.edu. See Instructions to Bidders.)

PROJECT NAME:	Audio-Visual Upgrades Project at Orange County Sheriff's Regional Training Academy		
PROJECT NUMBER:	FMR 24-78	BID NUMBER:	1471
EMAIL TO: facilitiesbid@rsccd.edu			
DATE:	01/28/2025		
FROM:	EIDIM Group Inc. dba EIDIM AV Technology	EMAIL:	estimate@eidim.com
SPEC SECTION:		DRAWING NUMBER:	
REQUESTED CLARIFICATION:			
<p>Are there any penalties or liquidated damages specified for delays beyond the project timeline, and what is the grace period for addressing unforeseen delays?</p>			
RESPONSE TO CLARIFICATION:			
<p>The liquidated damages is \$250/per day. Additional days granted for unforeseen issues shall be based on under individual circumstance.</p> <p>-RSCCD 2/4/25</p>			

Attach additional numbered sheets as necessary; however, only one (1) request shall be contained on each submitted form

END OF DOCUMENT

PRE-BID CLARIFICATION FORM

(Email this completed form to FacilitiesBid@rsccd.edu. See Instructions to Bidders.)

PROJECT NAME:	Audio-Visual Upgrades Project at Orange County Sheriff's Regional Training Academy		
PROJECT NUMBER:	FMR 24-78	BID NUMBER:	1471
EMAIL TO: facilitiesbid@rsccd.edu			
DATE:	01/28/2025		
FROM:	EIDIM Group Inc. dba EIDIM AV Technology	EMAIL:	estimate@eidim.com
SPEC SECTION:		DRAWING NUMBER:	
REQUESTED CLARIFICATION:			
<p>Is the OFCI equipment list (Attachment D) sufficient to meet all system integration, performance, and functional requirements for the scope of this project, or will the contractor be expected to identify and procure additional equipment?</p>			
RESPONSE TO CLARIFICATION:			
<p>Yes. The OFCI equipment list is sufficient to meet the system integration performance.</p> <p>-RSCCD 2/4/25</p>			

Attach additional numbered sheets as necessary; however, only one (1) request shall be contained on each submitted form

END OF DOCUMENT

PRE-BID CLARIFICATION FORM

(Email this completed form to FacilitiesBid@rsccd.edu. See Instructions to Bidders.)

PROJECT NAME:	Audio-Visual Upgrades Project at Orange County Sheriff's Regional Training Academy		
PROJECT NUMBER:	FMR 24-78	BID NUMBER:	1471
EMAIL TO: facilitiesbid@rsccd.edu			
DATE:	01/28/2025		
FROM:	EIDIM Group Inc. dba EIDIM AV Technology	EMAIL:	estimate@eidim.com
SPEC SECTION:		DRAWING NUMBER:	
REQUESTED CLARIFICATION:			
<p>Are there additional insurance requirements or site-specific liabilities the contractor must assume beyond standard AV integration projects?</p>			
RESPONSE TO CLARIFICATION:			
<p>No additional insurance requirements.</p> <p>-RSCCD 2/4/25</p>			

Attach additional numbered sheets as necessary; however, only one (1) request shall be contained on each submitted form

END OF DOCUMENT

PRE-BID CLARIFICATION FORM

(Email this completed form to FacilitiesBid@rsccd.edu. See Instructions to Bidders.)

PROJECT NAME:	Audio-Visual Upgrades Project at Orange County Sheriff's Regional Training Academy		
PROJECT NUMBER:	FMR 24-78	BID NUMBER:	1471
EMAIL TO: facilitiesbid@rsccd.edu			
DATE:	01/28/2025		
FROM:	EIDIM Group Inc. dba EIDIM AV Technology	EMAIL:	estimate@eidim.com
SPEC SECTION:		DRAWING NUMBER:	
REQUESTED CLARIFICATION:			
<p>Do you require extended warranties for any equipment, or will the standard manufacturer warranties suffice?</p>			
RESPONSE TO CLARIFICATION:			
<p>Follow standard warranties unless otherwise stated.</p> <p>-RSCCD 2/4/25</p>			

Attach additional numbered sheets as necessary; however, only one (1) request shall be contained on each submitted form

END OF DOCUMENT

PRE-BID CLARIFICATION FORM

(Email this completed form to FacilitiesBid@rsccd.edu. See Instructions to Bidders.)

PROJECT NAME:	Audio-Visual Upgrades Project at Orange County Sheriff's Regional Training Academy		
PROJECT NUMBER:	FMR 24-78	BID NUMBER:	1471
EMAIL TO: facilitiesbid@rsccd.edu			
DATE:	01/28/2025		
FROM:	EIDIM Group Inc. dba EIDIM AV Technology	EMAIL:	estimate@eidim.com
SPEC SECTION:		DRAWING NUMBER:	
REQUESTED CLARIFICATION:			
<p>Should the contractor anticipate handling electrical coordination with the facility, or will this be separately contracted? If the contractor is responsible, is there an electrical diagram or pre-designated power source to follow?</p>			
RESPONSE TO CLARIFICATION:			
<p>Contractor is responsible for providing, corrdinating, and installing all electrical components as part of the integrated AV system.</p> <p>-RSCCD 2/4/25</p>			

Attach additional numbered sheets as necessary; however, only one (1) request shall be contained on each submitted form

END OF DOCUMENT

PRE-BID CLARIFICATION FORM

(Email this completed form to FacilitiesBid@rsccd.edu. See Instructions to Bidders.)

PROJECT NAME:	Audio-Visual Upgrades Project at Orange County Sheriff's Regional Training Academy		
PROJECT NUMBER:	FMR 24-78	BID NUMBER:	1471
EMAIL TO: facilitiesbid@rsccd.edu			
DATE:	01/28/2025		
FROM:	EIDIM Group Inc. dba EIDIM AV Technology	EMAIL:	estimate@eidim.com
SPEC SECTION:		DRAWING NUMBER:	
REQUESTED CLARIFICATION:			
<p>Are there specific procedures or restrictions for equipment delivery to the site, such as using a designated loading dock or scheduling times in advance?</p>			
RESPONSE TO CLARIFICATION:			
<p>Designated loading area and scheduling times to be coordinated and confirmed with the District Project Manager.</p> <p>-RSCCD 2/4/25</p>			

Attach additional numbered sheets as necessary; however, only one (1) request shall be contained on each submitted form

END OF DOCUMENT

PRE-BID CLARIFICATION FORM

(Email this completed form to FacilitiesBid@rsccd.edu. See Instructions to Bidders.)

PROJECT NAME:	Audio-Visual Upgrades Project at Orange County Sheriff's Regional Training Academy		
PROJECT NUMBER:	FMR 24-78	BID NUMBER:	1471
EMAIL TO: facilitiesbid@rsccd.edu			
DATE:	01/28/2025		
FROM:	EIDIM Group Inc. dba EIDIM AV Technology	EMAIL:	estimate@eidim.com
SPEC SECTION:		DRAWING NUMBER:	
REQUESTED CLARIFICATION:			
<p>Are there any restricted access zones within the project site or time constraints (beyond general work-hour restrictions) for specific rooms, such as the Gymnasium or classrooms, due to ongoing activities?</p>			
RESPONSE TO CLARIFICATION:			
<p>Refer to the included Item No AD 1-1 of this Addendum #1 regarding the revised phasing/work hours.</p> <p>-RSCCD 2/4/25</p>			

Attach additional numbered sheets as necessary; however, only one (1) request shall be contained on each submitted form

END OF DOCUMENT

PRE-BID CLARIFICATION FORM

(Email this completed form to FacilitiesBid@rsccd.edu. See Instructions to Bidders.)

PROJECT NAME:	Audio-Visual Upgrades Project at Orange County Sheriff's Regional Training Academy		
PROJECT NUMBER:	FMR 24-78	BID NUMBER:	1471
EMAIL TO: facilitiesbid@rsccd.edu			
DATE:	01/28/2025		
FROM:	EIDIM Group Inc. dba EIDIM AV Technology	EMAIL:	estimate@eidim.com
SPEC SECTION:		DRAWING NUMBER:	
REQUESTED CLARIFICATION:			
<p>Are there specific user expectations for audio quality, video resolution, or system latency beyond what is specified? If yes, please detail these expectations.</p>			
RESPONSE TO CLARIFICATION:			
<p>Please assume the project has a robust commissioning procedures. The new integrated AV system will be tested and commissioned for District's acceptance.</p> <p>-RSCCD 2/4/25</p>			

Attach additional numbered sheets as necessary; however, only one (1) request shall be contained on each submitted form

END OF DOCUMENT

PRE-BID CLARIFICATION FORM

(Email this completed form to FacilitiesBid@rsccd.edu. See Instructions to Bidders.)

PROJECT NAME:	Audio-Visual Upgrades Project at Orange County Sheriff's Regional Training Academy		
PROJECT NUMBER:	FMR 24-78	BID NUMBER:	1471
EMAIL TO: facilitiesbid@rsccd.edu			
DATE:	01/28/2025		
FROM:	EIDIM Group Inc. dba EIDIM AV Technology	EMAIL:	estimate@eidim.com
SPEC SECTION:		DRAWING NUMBER:	
REQUESTED CLARIFICATION:			
<p>Could you provide a clear, detailed list of all existing equipment intended for reuse in this project, as well as any devices that will remain in place but are not to be integrated into the new system?</p>			
RESPONSE TO CLARIFICATION:			
<p>Refer to the Specifications 27 4116 Integrated Audio-Video AV Systems & Equipment for details. Existing devices are to remain in place if they are not listed per the included Attachment E of this Addendum #1.</p> <p>-RSCCD 2/4/25</p>			

Attach additional numbered sheets as necessary; however, only one (1) request shall be contained on each submitted form

END OF DOCUMENT

PRE-BID CLARIFICATION FORM

(Email this completed form to FacilitiesBid@rsccd.edu. See Instructions to Bidders.)

PROJECT NAME:	Audio-Visual Upgrades Project at Orange County Sheriff's Regional Training Academy		
PROJECT NUMBER:	FMR 24-78	BID NUMBER:	1471
EMAIL TO: facilitiesbid@rsccd.edu			
DATE:	01/28/2025		
FROM:	EIDIM Group Inc. dba EIDIM AV Technology	EMAIL:	estimate@eidim.com
SPEC SECTION:		DRAWING NUMBER:	
REQUESTED CLARIFICATION:			
<p>Are the provided OFCI equipment and specifications comprehensive for the scope of work, or will additional equipment need to be procured to ensure full system functionality?</p>			
RESPONSE TO CLARIFICATION:			
<p>Yes. Refer to Pre-bid Clarification Form RFI # 25 response.</p> <p>-RSCCD 2/4/25</p>			

Attach additional numbered sheets as necessary; however, only one (1) request shall be contained on each submitted form

END OF DOCUMENT

PRE-BID CLARIFICATION FORM

(Email this completed form to FacilitiesBid@rsccd.edu. See Instructions to Bidders.)

PROJECT NAME:	Audio-Visual Upgrades Project at Orange County Sheriff's Regional Training Academy		
PROJECT NUMBER:	FMR 24-78	BID NUMBER:	1471
EMAIL TO: facilitiesbid@rsccd.edu			
DATE:	01/28/2025		
FROM:	EIDIM Group Inc. dba EIDIM AV Technology	EMAIL:	estimate@eidim.com
SPEC SECTION:		DRAWING NUMBER:	
REQUESTED CLARIFICATION:			
<p>Are there any specific site access limitations or restricted work hours that the contractor should plan for, especially in active spaces like classrooms or the gym?</p>			
RESPONSE TO CLARIFICATION:			
<p>Refer to the included Item No AD 1-1 of this Addendum #1 regarding the revised phasing/work hours. Protect existing flooring surfaces and provide appropriate light-weight lift for ceiling installation work in the gym and classrooms and other areas as needed.</p> <p>- RSCCD 2/4/25</p>			

Attach additional numbered sheets as necessary; however, only one (1) request shall be contained on each submitted form

END OF DOCUMENT

PRE-BID CLARIFICATION FORM

Addendum #1 2/4/25
RFI # 35

(Email this completed form to FacilitiesBid@rsccd.edu. See Instructions to Bidders.)

PROJECT NAME:	Audio-Visual Upgrades Project at Orange County Sheriff's Regional Training Academy		
PROJECT NUMBER:	FMR 24-78	BID NUMBER:	1471
EMAIL TO: facilitiesbid@rsccd.edu			
DATE:	01/28/2025		
FROM:	EIDIM Group Inc. dba EIDIM AV Technology	EMAIL:	estimate@eidim.com
SPEC SECTION:		DRAWING NUMBER:	
REQUESTED CLARIFICATION:			
<p>Are there requirements for post-installation maintenance support beyond the warranty period? If so, should this be included in the initial bid or offered as an option?</p>			
RESPONSE TO CLARIFICATION:			
<p>No post-installation maintenance support is needed beyond the warranty period.</p> <p>-RSCCD 2/4/25</p>			

Attach additional numbered sheets as necessary; however, only one (1) request shall be contained on each submitted form

END OF DOCUMENT

PRE-BID CLARIFICATION FORM

(Email this completed form to FacilitiesBid@rsccd.edu. See Instructions to Bidders.)

PROJECT NAME:	Audio-Visual Upgrades Project at Orange County Sheriff's Regional Training Academy		
PROJECT NUMBER:	FMR 24-78	BID NUMBER:	1471
EMAIL TO: facilitiesbid@rsccd.edu			
DATE:	01/28/2025		
FROM:	EIDIM Group Inc. dba EIDIM AV Technology	EMAIL:	estimate@eidim.com
SPEC SECTION:		DRAWING NUMBER:	
REQUESTED CLARIFICATION:			
<p>How many training sessions and for how many users will be needed, and what is the expected duration and content depth of these training sessions?</p>			
RESPONSE TO CLARIFICATION:			
<p>A total of 16 hours will be required. Exact duration hours for each session to be determined by the District. Contractor shall submit user training manuals and materials for review at least two weeks prior to training sessions.</p> <p>-RSCCD 2/4/25</p>			

Attach additional numbered sheets as necessary; however, only one (1) request shall be contained on each submitted form

END OF DOCUMENT

PRE-BID CLARIFICATION FORM

(Email this completed form to FacilitiesBid@rsccd.edu. See Instructions to Bidders.)

PROJECT NAME:	Audio-Visual Upgrades Project at Orange County Sheriff's Regional Training Academy		
PROJECT NUMBER:	FMR 24-78	BID NUMBER:	1471
EMAIL TO: facilitiesbid@rsccd.edu			
DATE:	01/28/2025		
FROM:	EIDIM Group Inc. dba EIDIM AV Technology	EMAIL:	estimate@eidim.com
SPEC SECTION:		DRAWING NUMBER:	
REQUESTED CLARIFICATION:			
<p>Beyond the documentation mentioned (e.g., shop drawings, as-built drawings, user manuals), are there additional types of deliverables required (e.g., digital backups, training videos)?</p>			
RESPONSE TO CLARIFICATION:			
<p>Refer to Specifications 27 4116 Integrated Audio-Video AV Systems & Equipment for for the required deliverables.</p> <p>-RSCCD 2/4/25</p>			

Attach additional numbered sheets as necessary; however, only one (1) request shall be contained on each submitted form

END OF DOCUMENT

PRE-BID CLARIFICATION FORM

(Email this completed form to FacilitiesBid@rsccd.edu. See Instructions to Bidders.)

PROJECT NAME:	Audio-Visual Upgrades Project at Orange County Sheriff's Regional Training Academy		
PROJECT NUMBER:	FMR 24-78	BID NUMBER:	1471
EMAIL TO: facilitiesbid@rsccd.edu			
DATE:	1/29/25		
FROM:	DE LA TORRE COMMERCIAL INT.	EMAIL:	ed@dawn.net
SPEC SECTION:		DRAWING NUMBER:	
REQUESTED CLARIFICATION:			
<p>ARE PROJECTORS BEING REPLACED IN ANY ROOMS? IF SO, PLEASE SPECIFY BRAND / MODEL.</p>			
RESPONSE TO CLARIFICATION:			
<p>Existing projectors are not to be replaced.</p> <p>-RSCCD 2/4/25</p>			

Attach additional numbered sheets as necessary; however, only one (1) request shall be contained on each submitted form

END OF DOCUMENT

PRE-BID CLARIFICATION FORM

(Email this completed form to FacilitiesBid@rsccd.edu. See Instructions to Bidders.)

PROJECT NAME:	Audio-Visual Upgrades Project at Orange County Sheriff's Regional Training Academy		
PROJECT NUMBER:	FMR 24-78	BID NUMBER:	1471
EMAIL TO: facilitiesbid@rsccd.edu			
DATE:	1/29/25		
FROM:	DE LA TORRE COMMERCIAL INT	EMAIL:	ed@dcinc.net
SPEC SECTION:		DRAWING NUMBER:	
REQUESTED CLARIFICATION:			
<p>NEW SPEAKER QUANTITIES ARE FEWER THAN EXISTING SPEAKERS. IS THIS ADEQUATE FOR THE SPACE?</p>			
RESPONSE TO CLARIFICATION:			
<p>Yes it is adequate for the new AV system.</p> <p>- RSCCD 2/4/25</p>			

Attach additional numbered sheets as necessary; however, only one (1) request shall be contained on each submitted form

END OF DOCUMENT

PRE-BID CLARIFICATION FORM

(Email this completed form to FacilitiesBid@rsccd.edu. See Instructions to Bidders.)

PROJECT NAME:	Audio-Visual Upgrades Project at Orange County Sheriff's Regional Training Academy		
PROJECT NUMBER:	FMR 24-78	BID NUMBER:	1471
EMAIL TO: facilitiesbid@rsccd.edu			
DATE:	1/29/25		
FROM:	DE LA TORRE COMMERCIAL INT.	EMAIL:	ed@delinc.net
SPEC SECTION:		DRAWING NUMBER:	
REQUESTED CLARIFICATION:			
<p>WILL THE CEILING TILES NEED REPLACEMENT WITH INSTALLATION OF NEW SPEAKERS? IF SO, WILL ALL CEILING TILES NEED REPLACEMENT IN ORDER TO MATCH THE NEW CEILING TILES?</p>			
RESPONSE TO CLARIFICATION:			
<p>Yes. All existing ceiling tiles where speakers are being removed/replaced by the work are required to be replaced.</p> <p>- RSCCD 2/4/25</p>			

Attach additional numbered sheets as necessary; however, only one (1) request shall be contained on each submitted form

END OF DOCUMENT

PRE-BID CLARIFICATION FORM

(Email this completed form to FacilitiesBid@rsccd.edu. See Instructions to Bidders.)

PROJECT NAME:	Audio-Visual Upgrades Project at Orange County Sheriff's Regional Training Academy		
PROJECT NUMBER:	FMR 24-78	BID NUMBER:	1471
EMAIL TO: facilitiesbid@rsccd.edu			
DATE:	1/29/25		
FROM:	DE LA TORRE COMMERCIAL INT	EMAIL:	ed@delinc.net
SPEC SECTION:		DRAWING NUMBER:	
REQUESTED CLARIFICATION:			
<p>WILL PATCH AND PAINT BE REQUIRED FOR FRONT WALL SPEAKER REMOVAL?</p>			
RESPONSE TO CLARIFICATION:			
<p>All existing wall surfaces damaged by the work are required to be painted and patched.</p> <p>- RSCCD 2/4/25</p>			

Attach additional numbered sheets as necessary; however, only one (1) request shall be contained on each submitted form

END OF DOCUMENT

PRE-BID CLARIFICATION FORM

(Email this completed form to FacilitiesBid@rsccd.edu. See Instructions to Bidders.)

PROJECT NAME:	Audio-Visual Upgrades Project at Orange County Sheriff's Regional Training Academy		
PROJECT NUMBER:	FMR 24-78	BID NUMBER:	1471
EMAIL TO: facilitiesbid@rsccd.edu			
DATE:	11/29/25		
FROM:	DE LA TORRE COMMERCIAL INT	EMAIL:	ed@dcimc.net
SPEC SECTION:		DRAWING NUMBER:	
REQUESTED CLARIFICATION:			
<p>AT CREDENZAS HOUSING AV EQUIPMENT - ARE ADEQUATE CONDUITS AVAILABLE TO THE FLOOR BOX LOCATIONS? VERIFY</p>			
RESPONSE TO CLARIFICATION:			
<p>There are adequate conduits available to the floor box locations.</p> <p>- RSCCD 2/4/25</p>			

Attach additional numbered sheets as necessary; however, only one (1) request shall be contained on each submitted form

END OF DOCUMENT

PRE-BID CLARIFICATION FORM

(Email this completed form to FacilitiesBid@rsccd.edu. See Instructions to Bidders.)

PROJECT NAME:	Audio-Visual Upgrades Project at Orange County Sheriff's Regional Training Academy		
PROJECT NUMBER:	FMR 24-78	BID NUMBER:	1471
EMAIL TO: facilitiesbid@rsccd.edu			
DATE:	1/29/25		
FROM:	DE LA TORRE COMMERCIAL INT.	EMAIL:	ed@dcuinc.net
SPEC SECTION:		DRAWING NUMBER:	
REQUESTED CLARIFICATION:			
<p>AT CREDENZAS HOUSING AV EQUIPMENT - ALL NEW EQUIPMENT TO HAVE LAN CABLES ROUTED TO IDF OR LOCAL SWITCH INSIDE CREDENZA?</p>			
RESPONSE TO CLARIFICATION:			
<p>All cables to be routed to the IDF or local switch inside the lecterns.</p> <p>- RSCCD 2/4/25</p>			

Attach additional numbered sheets as necessary; however, only one (1) request shall be contained on each submitted form

END OF DOCUMENT

PRE-BID CLARIFICATION FORM

(Email this completed form to FacilitiesBid@rsccd.edu. See Instructions to Bidders.)

PROJECT NAME:	Audio-Visual Upgrades Project at Orange County Sheriff's Regional Training Academy		
PROJECT NUMBER:	FMR 24-78	BID NUMBER:	1471
EMAIL TO: facilitiesbid@rsccd.edu			
DATE:	1/29/25		
FROM:	DE LA TORRE COMMERCIAL INT	EMAIL:	ed@dlainc.net
SPEC SECTION:		DRAWING NUMBER:	
REQUESTED CLARIFICATION:			
<p>AT CREDENZAS HOUSING AV EQUIPMENT - WIRELESS MICS WERE OBSERVED FOR THE CLASSROOMS INSIDE AV EQUIPMENT RACKS. ARE EXISTING WIRELESS MICS TO BE RELOCATED TO NEW CREDENZA RACKS?</p>			
RESPONSE TO CLARIFICATION:			
<p>Yes. All existing wireless mics (including the components) are to be relocated to the credenzas.</p> <p>-RSCCD 2/4/25</p>			

Attach additional numbered sheets as necessary; however, only one (1) request shall be contained on each submitted form

END OF DOCUMENT

PRE-BID CLARIFICATION FORM

(Email this completed form to FacilitiesBid@rsccd.edu. See Instructions to Bidders.)

PROJECT NAME:	Audio-Visual Upgrades Project at Orange County Sheriff's Regional Training Academy		
PROJECT NUMBER:	FMR 24-78	BID NUMBER:	1471
EMAIL TO: facilitiesbid@rsccd.edu			
DATE:	1/29/25		
FROM:	DE LA TORRE COMMERCIAL INT.	EMAIL:	ed@dcinc.net
SPEC SECTION:		DRAWING NUMBER:	
REQUESTED CLARIFICATION:			
<p>AT CREDENZAS HOUSING AV EQUIPMENT - OBSERVATION ROOMS HAVE EXISTING SPEAKERS WITH A CRESTON KEYPAD TO CONTROL VOLUME AND ROOM PARTICIPATION CONTROLS. IS THIS FEATURE STILL UTILIZED? PLEASE EXPLAIN SIGNAL FLOW.</p>			
RESPONSE TO CLARIFICATION:			
<p>There is no scope of work required inside the existing observation rooms.</p> <p>-RSCCD 2/4/25</p>			

Attach additional numbered sheets as necessary; however, only one (1) request shall be contained on each submitted form

END OF DOCUMENT

PRE-BID CLARIFICATION FORM

(Email this completed form to FacilitiesBid@rsccd.edu. See Instructions to Bidders.)

PROJECT NAME:	Audio-Visual Upgrades Project at Orange County Sheriff's Regional Training Academy		
PROJECT NUMBER:	FMR 24-78	BID NUMBER:	1471
EMAIL TO: facilitiesbid@rsccd.edu			
DATE:	1/29/25		
FROM:	DE LA TORRE COMMERCIAL INT.	EMAIL:	ed@dcinc.net
SPEC SECTION:		DRAWING NUMBER:	
REQUESTED CLARIFICATION:			
<p>DIVISIBLE MULTI PURPOSE ROOM, GYM, DINING - IS UTILITY CAPABLE OF PROVIDING THE LEVEL OF CONTROL FOR THE SPACE?</p>			
RESPONSE TO CLARIFICATION:			
<p>Yes it is capable.</p> <p>-RSCCD 2/4/25</p>			

Attach additional numbered sheets as necessary; however, only one (1) request shall be contained on each submitted form

END OF DOCUMENT

PRE-BID CLARIFICATION FORM

(Email this completed form to FacilitiesBid@rsccd.edu. See Instructions to Bidders.)

PROJECT NAME:	Audio-Visual Upgrades Project at Orange County Sheriff's Regional Training Academy		
PROJECT NUMBER:	FMR 24-78	BID NUMBER:	1471
EMAIL TO: facilitiesbid@rsccd.edu			
DATE:	1/29/25		
FROM:	DE LA TORRE COMMERCIAL INT.	EMAIL:	ed@daime.net
SPEC SECTION:		DRAWING NUMBER:	
REQUESTED CLARIFICATION:			
<p>DIVISIBLE MULTIPURPOSE ROOM, GYM, DINING - WHAT IS THE PURPOSE OF THE EXTRON CONTROL PROCESSOR?</p>			
RESPONSE TO CLARIFICATION:			
<p>Refer to Specifications 27 4116 Integrated Audio-Video AV Systems & Equipment for the intent of the Extron control processor.</p> <p>-RSCCD 2/4/25</p>			

Attach additional numbered sheets as necessary; however, only one (1) request shall be contained on each submitted form

END OF DOCUMENT

PRE-BID CLARIFICATION FORM

(Email this completed form to FacilitiesBid@rsccd.edu. See Instructions to Bidders.)

PROJECT NAME:	Audio-Visual Upgrades Project at Orange County Sheriff's Regional Training Academy		
PROJECT NUMBER:	FMR 24-78	BID NUMBER:	1471
EMAIL TO: facilitiesbid@rsccd.edu			
DATE:	1/29/25		
FROM:	DE LA TORRE COMMERCIAL INT.	EMAIL:	cd@drinc.net
SPEC SECTION:		DRAWING NUMBER:	
REQUESTED CLARIFICATION:			
<p>DIVISIBLE MULTIPURPOSE ROOM, GYM, DINING - NEW INPUT AND CONTROL IN REAR OF GYM. IS THE CONTRACTOR RESPONSIBLE TO PAINT CONDUIT?</p>			
RESPONSE TO CLARIFICATION:			
<p>Yes the contractor is responsible for painting and patching all existing wall surfaces and conduits damaged by the work.</p> <p>-RSCCD 2/4/25</p>			

Attach additional numbered sheets as necessary; however, only one (1) request shall be contained on each submitted form

END OF DOCUMENT

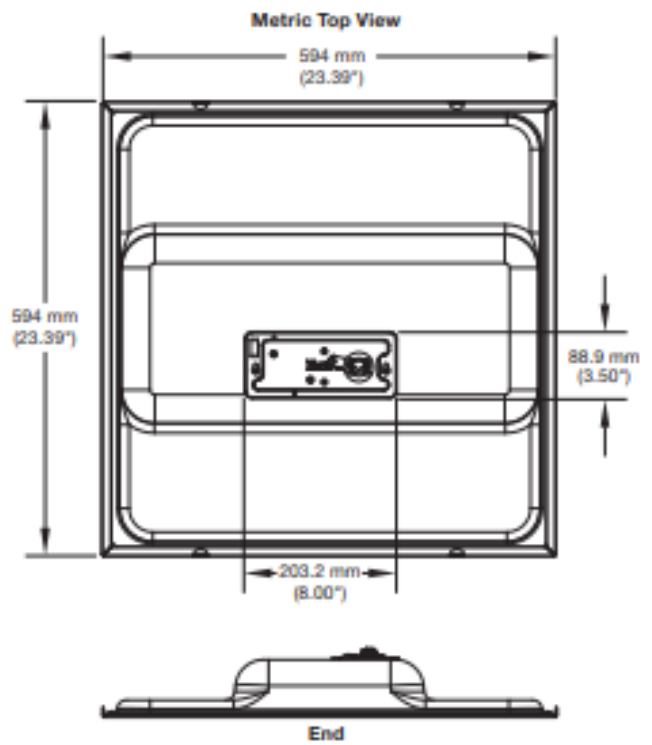
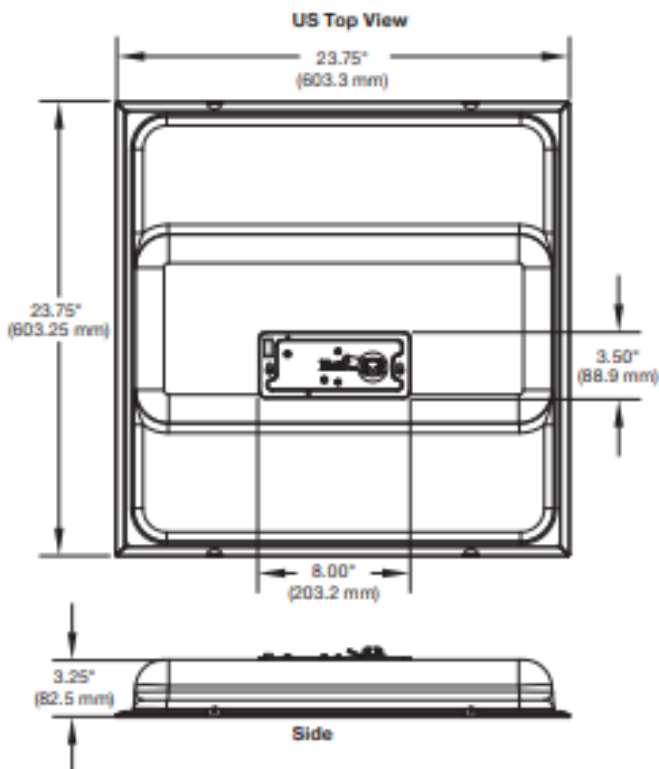
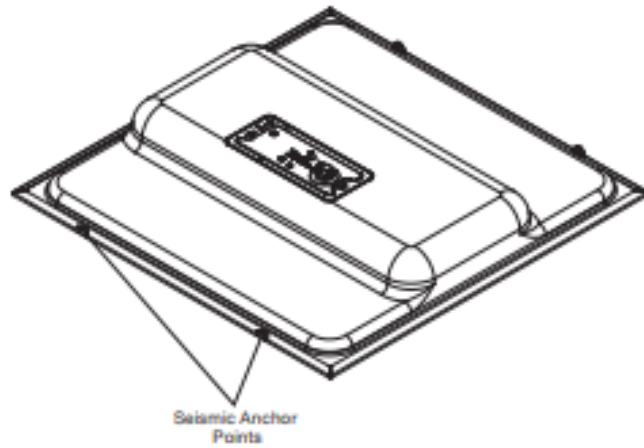
PRE-BID CLARIFICATION FORM

(Email this completed form to FacilitiesBid@rscgd.edu. See Instructions to Bidders.)

PROJECT NAME:	Audio-Visual Upgrades Project at Orange County Sheriff's Regional Training Academy		
PROJECT NUMBER:	FMR 24-78	BID NUMBER:	1471
EMAIL TO: facilitiesbid@rscgd.edu			
DATE:	1/29/25		
FROM:	DE LA TORRE COMMERCIAL INT.	EMAIL:	ed@delinc.net
SPEC SECTION:		DRAWING NUMBER:	
REQUESTED CLARIFICATION:			
<p>DIVISIBLE MULTIPURPOSE ROOM, GYM, DINING - IS THERE A SPECIFIC SPEAKER MOUNT? JBL PRX ARE SOCKET MOUNTED FROM BENEATH. IS THERE A PLAN TO KEEP THE SPEAKERS FIXED IN THE CASE OF IMPACT?</p>			
RESPONSE TO CLARIFICATION:			
<p>Contractor to provide and install ceiling mount details per manufacturers recommendations. Coordinate with District Project Manager for final installation.</p> <p>See attached details for reference.</p> <p>-RSCGD 2/4/25</p>			

Attach additional numbered sheets as necessary; however, only one (1) request shall be contained on each submitted form

END OF DOCUMENT



Speaker Details for Reference

PRE-BID CLARIFICATION FORM

(Email this completed form to FacilitiesBid@rsccd.edu. See Instructions to Bidders.)

PROJECT NAME:	Audio-Visual Upgrades Project at Orange County Sheriff's Regional Training Academy		
PROJECT NUMBER:	FMR 24-78	BID NUMBER:	1471
EMAIL TO: facilitiesbid@rsccd.edu			
DATE:			
FROM:	Avidex	EMAIL:	
SPEC SECTION:		DRAWING NUMBER:	
REQUESTED CLARIFICATION:			
Scaled drawings- AV - Please provide scaled floorplans.			
RESPONSE TO CLARIFICATION:			
<p style="color: red;">See Pre-bid Clarification Form RFI # 15 response regarding drawings with dimensions</p> <p style="color: red;">-RSCCD 2/4/25</p>			

Attach additional numbered sheets as necessary; however, only one (1) request shall be contained on each submitted form

END OF DOCUMENT

PRE-BID CLARIFICATION FORM

(Email this completed form to FacilitiesBid@rscsd.edu. See Instructions to Bidders.)

PROJECT NAME:	Audio-Visual Upgrades Project at Orange County Sheriff's Regional Training Academy		
PROJECT NUMBER:	FMR 24-78	BID NUMBER:	1471
EMAIL TO: facilitiesbid@rscsd.edu			
DATE:			
FROM:	Avidex	EMAIL:	
SPEC SECTION:		DRAWING NUMBER:	
REQUESTED CLARIFICATION:			
<p>IDF locations- AV - 274116 - 1.2D1d2 - Text is unclear on Main Building 1F floorplan. Please indicate MDF and IDF location(s).</p>			
RESPONSE TO CLARIFICATION:			
<p>The AV Room 119-1 is IDF room and the AV Room 115 is MDF room. See included location plan below. -RSCCD 2/3/25</p>			

Attach additional numbered sheets as necessary; however, only one (1) request shall be contained on each submitted form

END OF DOCUMENT

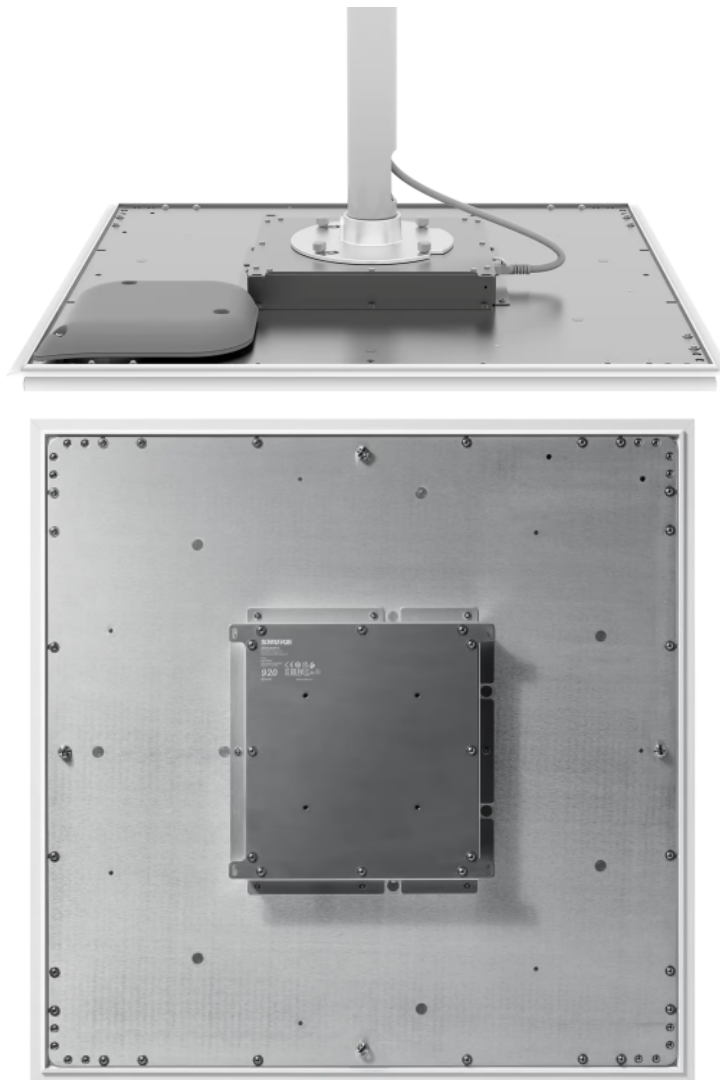
PRE-BID CLARIFICATION FORM

(Email this completed form to FacilitiesBid@rsccd.edu. See Instructions to Bidders.)

PROJECT NAME:	Audio-Visual Upgrades Project at Orange County Sheriff's Regional Training Academy		
PROJECT NUMBER:	FMR 24-78	BID NUMBER:	1471
EMAIL TO: facilitiesbid@rsccd.edu			
DATE:			
FROM:	Avidex	EMAIL:	
SPEC SECTION:		DRAWING NUMBER:	
REQUESTED CLARIFICATION:			
<p>Pole mount microphone detail - AV - 274116 - 1.2D1c3 - Please provide missing pole mounted microphone mounting detail.</p>			
RESPONSE TO CLARIFICATION:			
<p>Contractor to provide and install the mounting pole per manufacturer's instructions for mounting details. Coordinate with District Project Manager for final installation. Refer to the attached details for reference.</p> <p>-RSCCD 2/4/25</p>			

Attach additional numbered sheets as necessary; however, only one (1) request shall be contained on each submitted form

END OF DOCUMENT



MXA920 Ceiling Array Microphone
Pole Mounting and Details for Reference

See mounting information below for reference:

https://shure.widen.net/s/lvcm27kjhr/mxa920_architect_specifications

<https://www.shure.com/en-US/products/microphones/mxa902?variant=MXA902W-S>